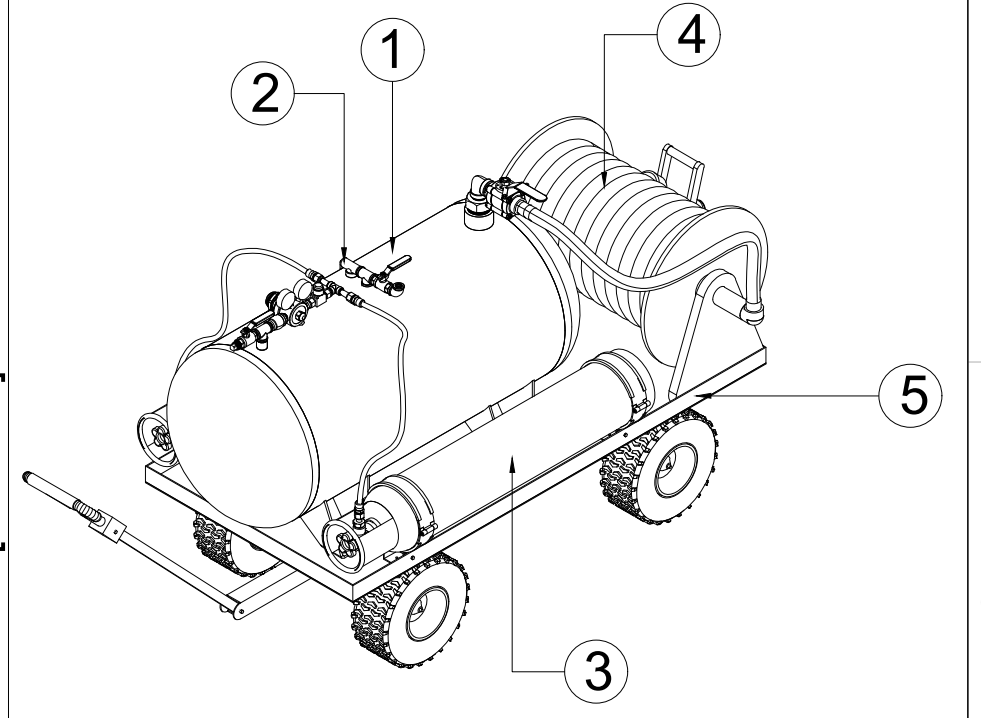
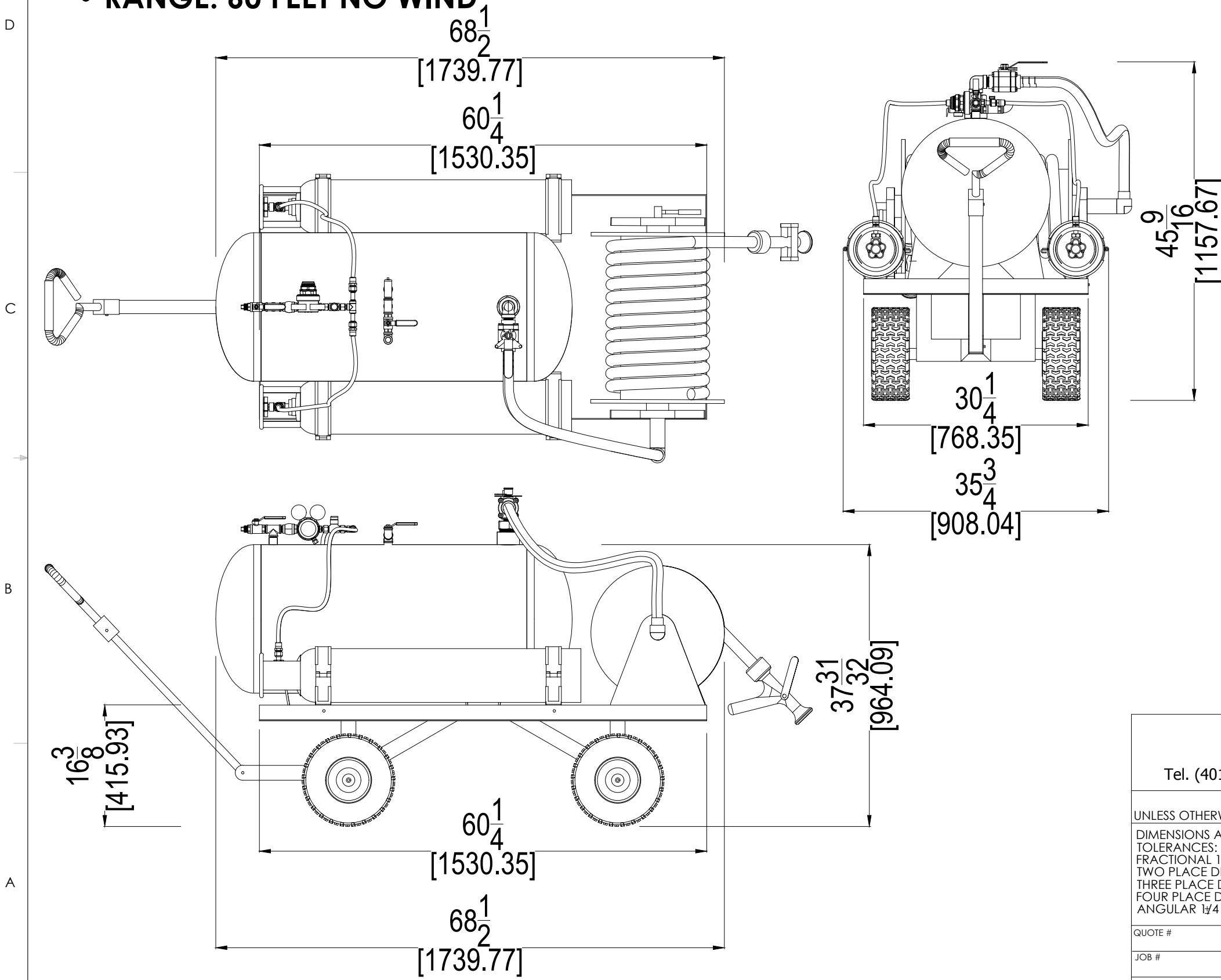


PERFORMANCE SPECIFICATIONS:

- **FLOW RATE: 10 GPM / 40 LPM**
- **DURATION: 6 MINUTES FULL OPEN**
- **RANGE: 60 FEET NO WIND**



ITEM	COMPONENT REFERENCE	QTY
1	TANK 60 GALLONS	1
2	PRESSURE RELIEF VALVE	1
3	NITROGEN CYLINDER 125 CU. FT.	2
4	100 FT. HOSE REEL	1
5	WHEELED CART (60 1/4" LX 30 1/4" WX 16 3/8" H)	1

SYSTEM WEIGHT:
EMPTY - 592 Lbs./268.5 Kg
FULL - 1093 Lbs./495.8 Kg

ACAF Systems Inc. 4 Grafton Street Coventry, RI 02816 Tel. (401)828-9787 Fax. (401)828-9788					
UNLESS OTHERWISE SPECIFIED:	DRAWN BY	DATE	TITLE: BOSS-60-FF ACAF (W/ CART)		
DIMENSIONS ARE IN INCHES	LER	4/25/2018			
TOLERANCES: FRACTIONAL 1/4" ± TWO PLACE DECIMAL .06 ± THREE PLACE DECIMAL .005 ± FOUR PLACE DECIMAL .005 ± ANGULAR 1/4"	DESIGNED BY	DATE			
	DBM	4/25/2018			
QUOTE #	Customer		SIZE	DWG. NO.	REV
JOB #			B	Boss-60 -FF	0
PO #	Project Name BOSS		DO NOT SCALE DRAWING		SHEET 1 OF 1